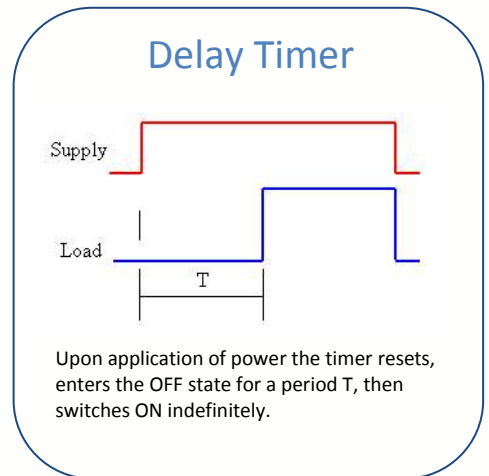
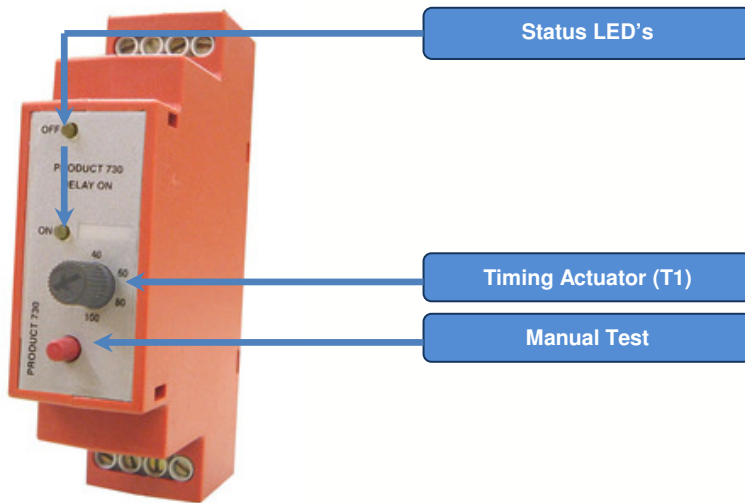


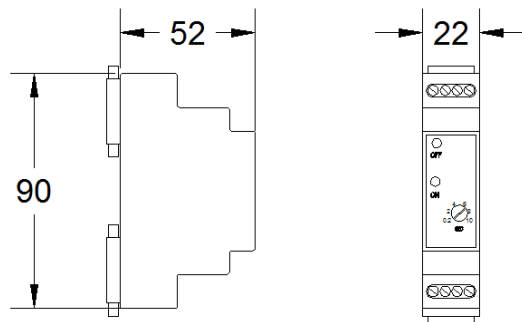
Panel Mounted Timer 731 Series



Applications

- ◆ Electrical Control Panels
- ◆ Discharge of Condensate
- ◆ Dryer Compressors
- ◆ Sprinkler systems
- ◆ Auto drain valve: automatic discharge of condensate
- ◆ Pneumatic vibration systems (e.g. Powder silos)
- ◆ Automatic lubrication systems
- ◆ Dosing systems

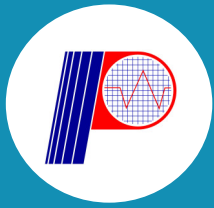
Technical Specification



Every effort has been taken to ensure the accuracy of this specification. However in order to maintain our technological lead we are continuously improving our products which could, without notice result in amendments or omissions to this specification. We cannot accept responsibility for damage, injury, loss or expenses resulting therein.

Specification			
Timing Scale	T Time	Model Specific	
Supply Voltage	Multi or Fixed Voltage Options Available (AC & DC)		
Current Consumption	4mA Max.	Timing Temp. Coefficient	+ or - 0.005% °C
Operating Temp.	-10 to +60°C	Scale Accuracy	+ or -10%
		Reset/ Test	Manual Touch Switch
Switch Capacity	1 Amp.	Printed Circuit Board	UL 94V0
Inrush Current	10 Amps for 10mSec	Repeat Accuracy	+ or - 1%
Switching Holding Voltage	400V	Indicators	LED's to indicate phases
Duty Cycles	100%	Design Standard	VDE 0110C
Input	Screw Clamp Terminals	Output	Screw Clamp Terminals





Panel Mounted Timer 731 Series

Delay Timer Part Numbers	
Part Number	T Time
731-03-001	0.5 – 1Sec.
731-03-002	0.5 – 10Sec.
731-03-003	1 – 30Sec.
731-03-004	2 – 60Sec.
731-03-005	0.5 – 5Min.
Other timings available on request: <i>msec, sec, mins, hrs, days, weeks, months</i> Fixed timings available Memory backup option Standard Colour: Beige Other Colours Available	