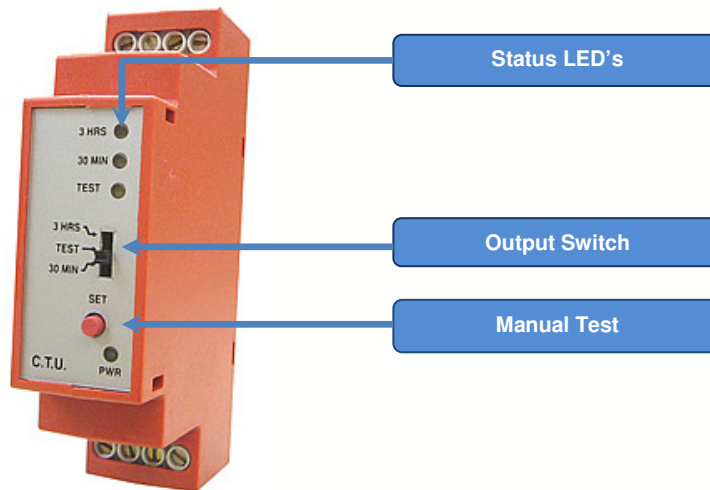
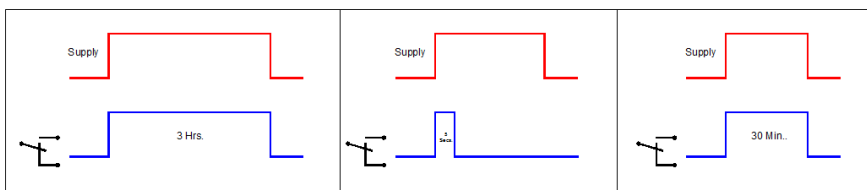


# Panel Mounted Timer 733 Series



## Central Test Unit

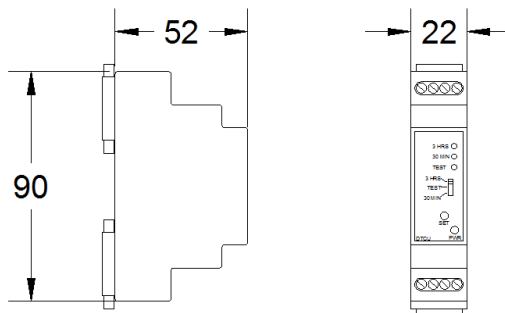


= Output Switch Closed

## Applications

- ◆ Testing of Emergency Lighting Circuits

## Technical Specification



Every effort has been taken to ensure the accuracy of this specification. However in order to maintain our technological lead we are continuously improving our products which could, without notice result in amendments or omissions to this specification. We cannot accept responsibility for damage, injury, loss or expenses resulting therein.

Product No. 733-10-000			
Timing Scale	T1 Time	30 Min.	T1 Time
			3 Hrs.
Supply Voltage	240 VAC 50/60Hz <i>Other voltages available on request</i>		
Current Consumption	4mA Max.	Timing Temp. Coefficient	+ or - 0.005% °C
Operating Temp.	-10 to +60°C	Scale Accuracy	+ or -10%
		Reset/ Test	Manual Touch Switch
Switch Capacity	1 Amp.	Printed Circuit Board	UL 94V0
Inrush Current	10 Amps for 10mSec	Repeat Accuracy	+ or - 1%
Switching Holding Voltage	400V	Indicators	LED's to indicate phases
Duty Cycles	100%	Design Standard	VDE 0110C
Input	Screw Clamp Terminals	Output	Screw Clamp Terminals

