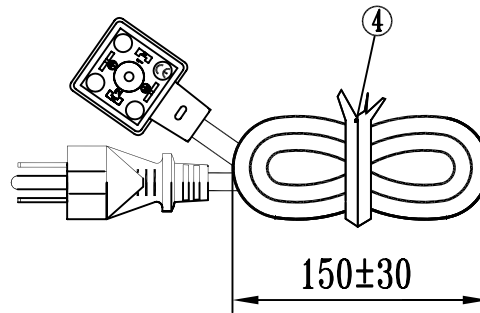
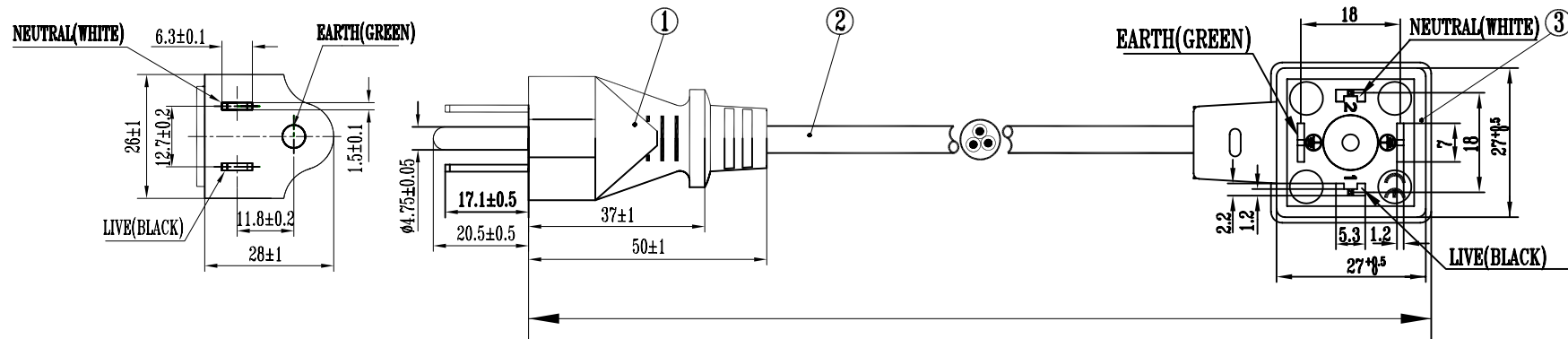


*CHANGE POLARITY OF PT004



ALL PARTS COMPLY WITH RoHS

DIMENSIONS AND CHARACTERISTICS OF CORD
 RATED VOLTAGE AND TEMPERATURE : 300V/105°C
 NUMBER OF CORES : 3
CONDUCTOR
 CONSTRUCTION : 41/0.16
 AVERAGE THICKNESS OF INSULATION : 0.38mm
 AVERAGE THICKNESS OF JACKET : 0.76mm
 PVC INSULATION OVERALL DIAMETER : $\varnothing 2.05 \pm 0.10$ mm
 PVC JACKET OVERALL DIAMETER : $\varnothing 6.10 \pm 0.15$ mm

MARKING:
 THE MARKING OF THE CORD:
 SVT 3X18AWG 105°C VW-1
 THE MARKING OF THE PLUG:
 GMG03 A 125V
 THE MARKING OF THE PLUGTOP:
 1 2

Constructed				Material		
Checked						
Approved				Date Created	Volume	Pieces
Name	Signature	Date				Sheet
Sheet		Units	[mm]		Part Number	
Scale 1 : 1	Name North American Cable with Din A Output (LED illuminated)					