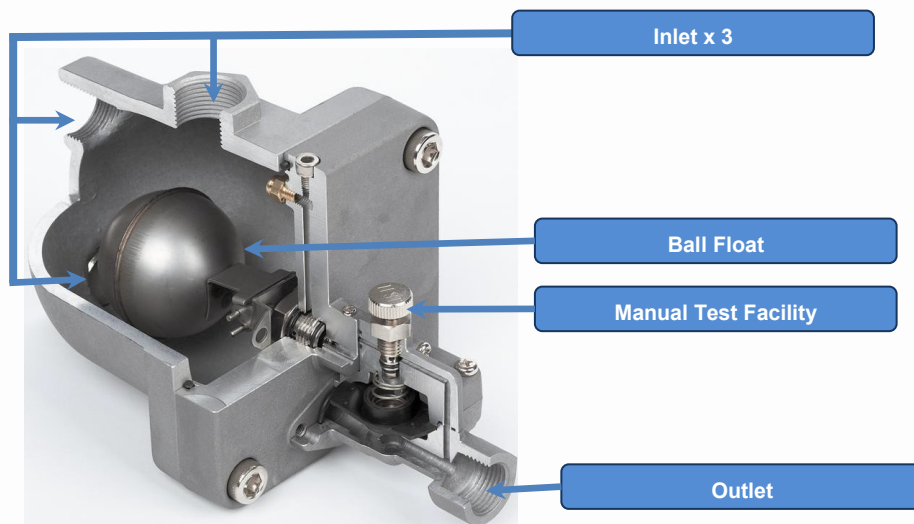


Mechanical No Loss Drains

340-11-015L BSP



The Mechanical No Loss Drain removes harmful condensate from receiver tanks, aftercoolers, dryers, filters and drip legs



- ✓ **Reliable**
- ✓ **Fully Automatic**
- ✓ **Compact**
- ✓ **Rugged**
- ✓ **No Electricity**
- ✓ **No Air Loss**
- ✓ **Manual Test Function**
- ✓ **Easy Service**
- ✓ **Easy Installation**
- ✓ **Available in Three Pressure Ranges**
- ✓ **Models for both Oil-free and Oil Injected Application**

Description

- ◆ Initial, diaphragm is kept by system pressure
- ◆ Condensate collects inside the unit through the inlet, gradually causing the ball float to rise
- ◆ Upon reaching a predetermined height, the ball float opens the pilot valve. This relieves the pressure chamber above the diaphragm.
- ◆ As a result, the pressure of the condensate lifts the diaphragm, allowing the collected condensate to be discharged.
- ◆ As the condensate is discharged, the float sinks, closing the pilot valve. Compressed air then flows over the diaphragm, sealing it again.

Benefits/Features

- ◆ Improves air system performance
- ◆ Eliminates frequent downtime maintenance
- ◆ Prevents corrosion and scaling
- ◆ Increase the air-carrying capacity of the pipelines
- ◆ Extends equipment life
- ◆ Aluminium body with stainless steel internals
- ◆ Maximum working pressure up to 250 PSI
- ◆ Manual test function
- ◆ 7mm outlet for quick discharge of condensate
- ◆ Optional extras include a heating unit to prevent freezing and bursting of pipelines in the winter and pre-filter ball valves to prolong lifespan of the unit

Mechanical No Loss Drains

340-11-015L BSP



Technical Specification

| Technical Data | | | | |
|-----------------------------------|-------------------------|------|-------|-------|
| Air Compressor Performance (MAX) | 50m ³ /min | | | |
| Natural Flow Volume | 3 l/hr | | | |
| Operating Pressure (min/max) | 0.8 - 3.0 bar | | | |
| Short Term Peak Load (From 7 bar) | 15 l/hr | | | |
| Temperature (Min/Max) | +0°C to +60°C | | | |
| Condensate Inlet | 1/2" x 3 | | | |
| Condensate Discharge | 3/8" x 1 | | | |
| Thread Type | BSP | | | |
| Weight | 1.2 Kg | | | |
| Application | Oil Injected Compressor | | | |
| Overall Dimension | A | B | C | D |
| | 1/2" | 3/8" | 105mm | 186mm |

Dimensions

