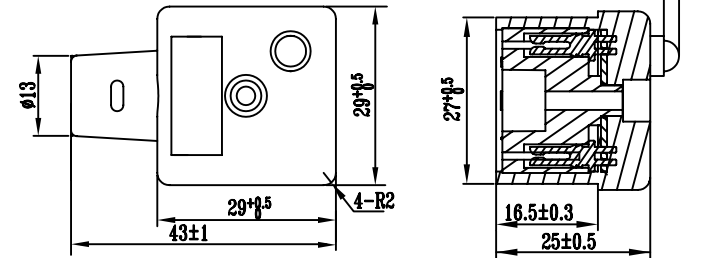
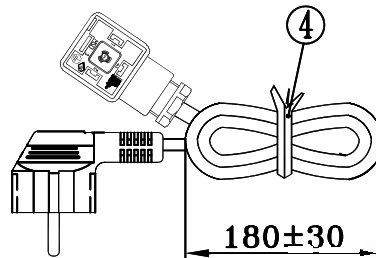
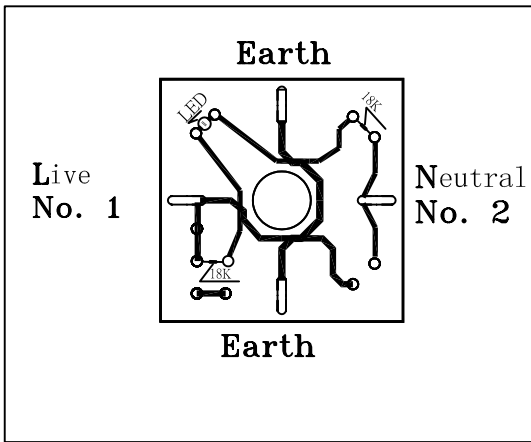
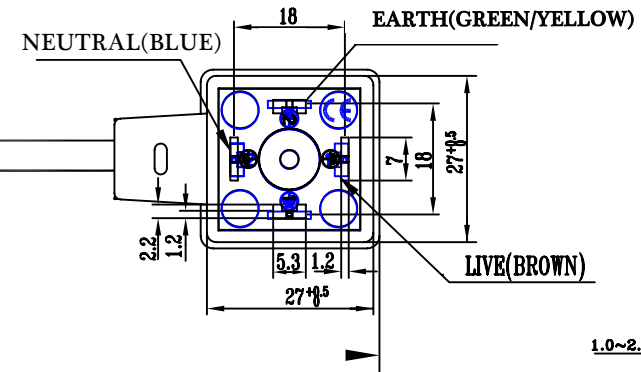
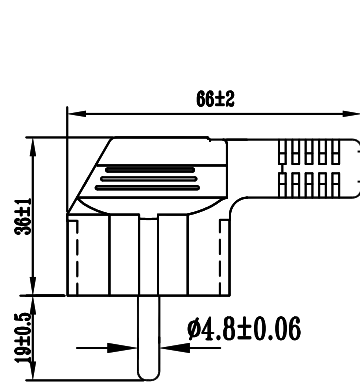
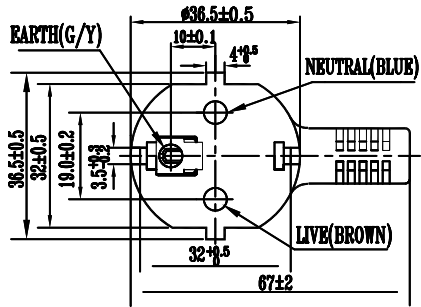


\*CHANGE POLARITY OF PT004



ALL PARTS COMPLY WITH RoHS

**DIMENSIONS AND CHARACTERISTICS OF CORD**  
 RATED VOLTAGE AND TEMPERATURE : 300V/105°C  
 NUMBER OF CORES : 3  
**CONDUCTOR**  
 CONSTRUCTION : 41/0.16  
 AVERAGE THICKNESS OF INSULATION : 0.38mm  
 AVERAGE THICKNESS OF JACKET : 0.76mm  
 PVC INSULATION OVERALL DIAMETER :  $\phi 2.05 \pm 0.10$ mm  
 PVC JACKET OVERALL DIAMETER :  $\phi 6.10 \pm 0.15$ mm

**MARKING:**  
 THE MARKING OF THE CORD:  
 SVT 3X18AWG 105°C VW-1  $\triangle$   
 THE MARKING OF THE PLUG:  
 GMG03  $\triangle$  125V  
 THE MARKING OF THE PLUGTOP:  
 $\text{C} \text{E} \text{1} \text{2}$   $\oplus$   $\ominus$

Constructed				Material		Volume	Pieces
Checked				Date Created			
Approved					Sheet	Part Number	
Name	Signature	Date					
Sheet		Units	[mm]				
Scale	Name						
1 : 1	European Cable with Din A (Illuminated) Output						

